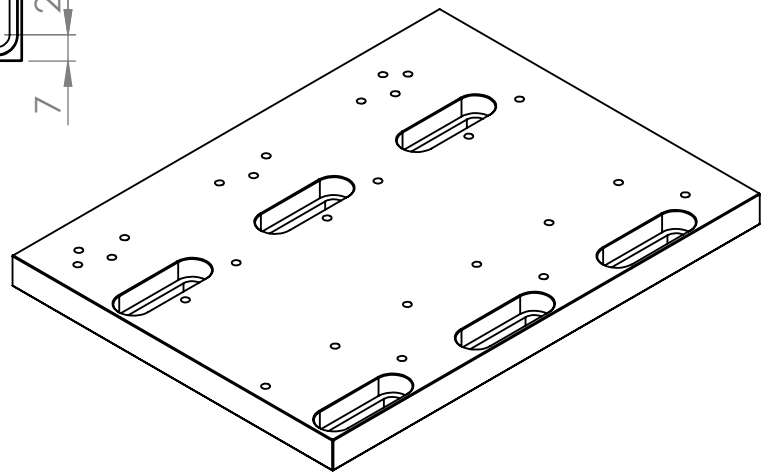


elongated hole for screw M6 DIN912



LIVE LASERSYSTEMS

SURFACE:

Break sharp edges!

UNLESS OTHERWISE STATED PRODUCTION AFTER DIN ISO 2768-f

DIMENSIONING IN MILLIMETERS

MODIFICATION

LLS Number:

|            | NAME      | SIGNATUR | DATE       |
|------------|-----------|----------|------------|
| DRAWN      | Lobendanz |          | 14.12.2022 |
| CHECKED    |           |          |            |
| APPROVED   |           |          |            |
| PRODUCTION |           |          |            |
| QUALITY    |           |          |            |

|              |                            |
|--------------|----------------------------|
| DESIGNATION  | <h1>Triple Base Plate</h1> |
| DRAWING Nr.: |                            |
| MATERIAL:    | A4                         |
| WEIGHT:      | SCALE:1:2 SHEET 1 of 1     |